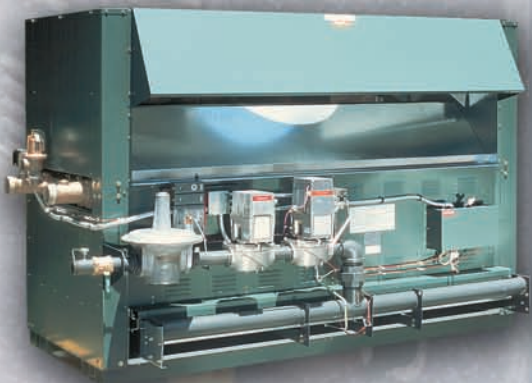




The Hot Water Management Experts<sup>SM</sup>

# Raytherm<sup>®</sup> Selection Guide

**Specifications for  
Commercial Atmospheric:  
*Hydronic Heating Boilers*  
*Water Heaters***



# Specifications and Dimensions

The Raytherm Selection Guide is a ready-reference to Raypak's full line of atmospheric commercial hydronic heating boilers, water heaters and packaged systems. The user, the specifier and the installer will find nearly all the significant information they require to select the proper Raytherm boiler, water heater, or package system for their particular need or application.

REF TO DWG	MODEL	AVAILABLE TYPES		MBTUH NATURAL GAS (a)				DIMENSIONS (INCHES)								Approximate Operating Weight LBS.	
				INDOOR		OUTDOOR		Width A	Height Overall B	Jacket Height C	Gas Conn. G	Water Conn. H	J	Flue Dia. K	L		
		H	WH	Input	Output	Input	Output										
1	133			136.0	112.0	136.0	112.0	14-1/2	45.0	30-1/8	1/2	1-1/4		6	9-1/4	145	195
2	182/181			181.0	148.0	181.0	148.0	18-1/4	62-5/8	38	3/4	1-1/2	12-1/16	6	11-13/16	191	221
	260/261			264.0	216.0	264.0	216.0	22-3/8	62-7/8	38	3/4	1-1/2	11-1/8	7	13-3/8	214	244
	330/331			334.0	274.0	334.0	274.0	25-3/4	63-3/4	38	3/4	1-1/2	10-3/4	8	15-3/4	239	264
	400/401			399.0*	327.0*	399.0*	327.0*	29-1/4	65-3/8	38	3/4	1-1/2	12-1/2	9	17-3/4	253	283
3	514			511.5	419.4	511.5	419.4	32-3/4	57.0	33	1	2		10	25-3/8	455	510
	624			627.0	514.0	627.0	514.0	37-1/2	57.0	33	1	2		12	29-1/2	465	520
	724			726.0	595.0	726.0	595.0	41-5/8	57.0	33	1	2		12	34-1/4	575	630
	824			825.0	676.5	825.0	676.5	45-3/4	57.0	33	1	2		14	38-1/2	605	660
4	926					926.0	759.0	52-3/8			1	2-1/2 (c)				785	840
	962			961.7	788.6			52-3/8	76-1/8	33-1/2	1	2-1/2 (c)	23-5/8	14	28	705	760
	1083					1083.0	888.0	59-1/4			(b)	2-1/2 (c)				865	920
	1125			1124.7	922.0			59-1/4	78-1/8	33-1/2	(b)	2-1/2 (c)	23-5/8	16	32	745	800
	1178					1178.0	966.0	63-5/8			(b)	2-1/2 (c)				925	980
	1223			1222.5	1002.4			63-5/8	78-1/8	33-1/2	(b)	2-1/2 (c)	23-5/8	16	32	805	860
	1287					1287.0	1055.0	68-5/8			1-1/4	2-1/2 (c)				980	1035
	1336			1336.6	1096.0			68-5/8	80-1/8	33-1/2	1-1/4	2-1/2 (c)	23-5/8	18	36	875	930
	1414					1413.0	1158.5	74-7/8			1-1/4	2-1/2 (c)				1080	1130
	1468			1467.0	1203.0			74-7/8	80-1/8	33-1/2	1-1/4	2-1/2 (c)	23-5/8	18	36	945	1000
	1571					1570.0	1287.0		81-1/8		1-1/4	2-1/2 (c)				1130	1190
	1631			1630.0	1336.6			81-1/8	83-1/8	36-1/2	1-1/4	2-1/2 (c)	23-5/8	18	36	985	1040
	1758					1758.0	1441.5		89-3/8		1-1/4	2-1/2 (c)				1160	1220
	1826			1825.6	1497.0			89-3/8	85-1/8	36-1/2	1-1/4	2-1/2 (c)	23-5/8	20	40	1035	1090
5	2100			2100.0	1722.0			61.0	68-1/4		(d)	3(c)		24		1400	
	2500			2499.0	2049.0			70.0	68-1/4		(d)	3(c)		26		1580	
	3001			3000.0	2460.0			81-1/4	68-1/4		2	3(c)		28		1750	
	3500			3500.0	2870.0			92-1/2	68-1/4		2	3(c)		30		1920	
	4001			4000.0	3280.0			103-3/4	68-1/4		2	3(c)		32		2100	

\* 2-Stage 401 (Low NOx) derated 5%.

### Hydronic

- H1 Mechanical modulation, high temp
- H2 Motorized modulation
- H3 2-Stage
- H4 On/Off
- H5 Mechanical modulation, low-temp
- H9 4-Stage

### Hot Water Supply

- WH1 On/Off
- WH2 Mechanical modulation (133-1826)
- WH2 Motorized modulation (2100-4001)
- WH3 2-Stage
- WH9 4-Stage

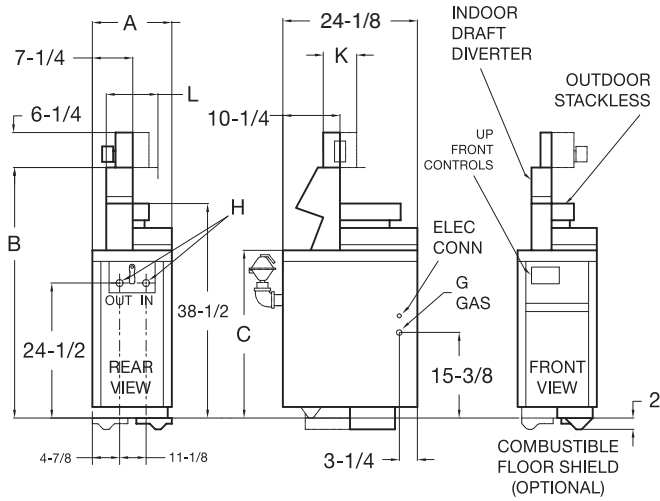
Note: Ratings shown are for elevations up to 2000 feet. Elevations over 2000 feet ratings should be reduced at the rate of 4% for each 1000 feet above sea level.

- (a) For Propane, see MBTUH Propane Gas chart below
- (b) 1" or 1-1/4" gas connection contingent on boiler type & code requirements
- (c) 3" NPT on Single Pass Option for Model H 926 - 1826  
4" Copper tubing on Single Pass Option for Model H 2100 - 4001
- (d) 1-1/2" or 2" gas connection contingent on boiler type & code requirements

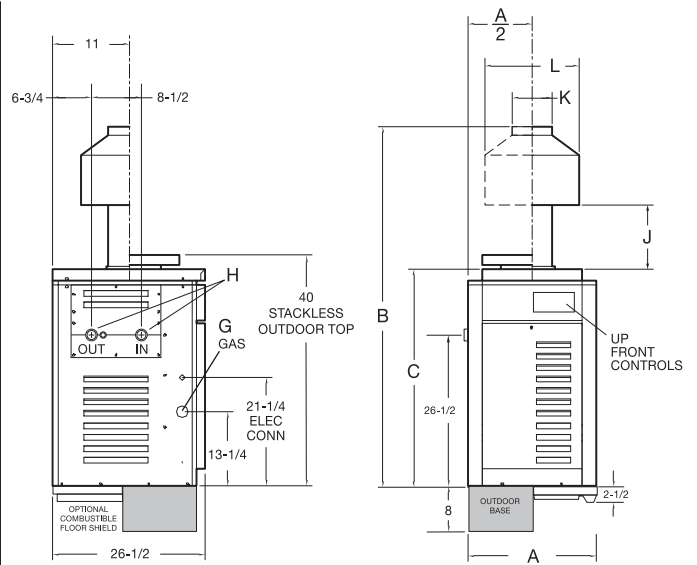
Models	ELECTRICAL RATINGS		MIN CLEARANCES TO COMBUSTIBLE CONSTRUCTION					PROPANE GAS	
			Rear	Left Side	Right Side	Top		Multiplier	
	With Pump	Without Pump				Indoor	Outdoor		
133	Less than 10 amps @ 120V	Less than 2 amp @ 120V 5 amps @ 120V	12"	12"	6"	42"	Unobstr.	1.0 (Same as natural gas)	
182 - 400			12"	12"	12"	39"	Unobstr.		
181 - 401			12"	18"	6"	36"	Unobstr.		
514 - 824	Less than 10 amps @ 120V	Less than 4 amp @ 120V	12"	24"	24"	24"	Unobstr.	0.94	
926-1826			24"	24"	24"	24"	Unobstr.		
2100 - 4001	951276 pump* 11 amps @ 230V 22 amps @ 110V	Less than 8 amps @ 120V	24"	24"	24"	24"	N/A	1.0 (Same as natural gas)	

\*Pump requires separate power supply

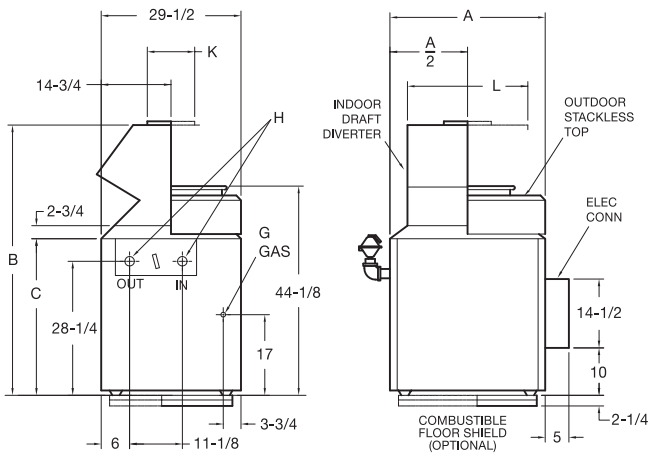
# Dimensional Drawings



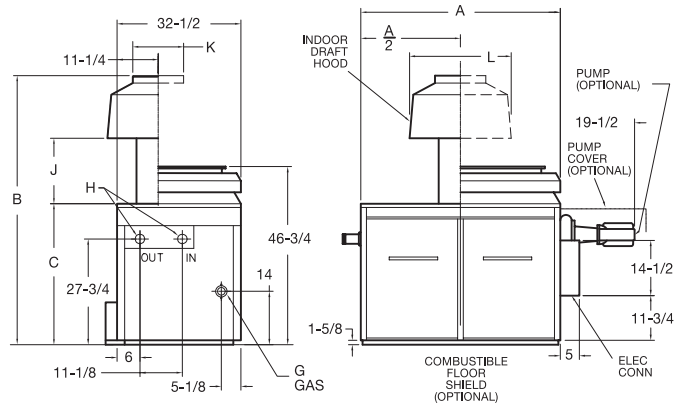
**Drawing 1 (WH only)**



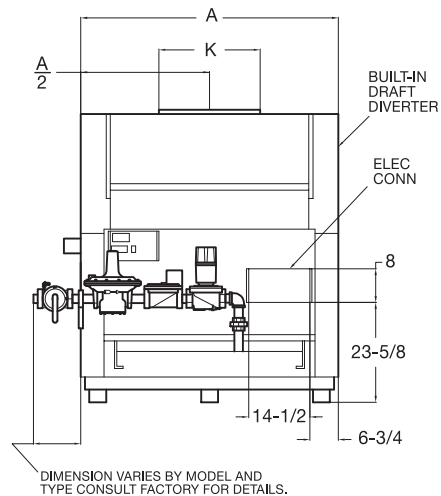
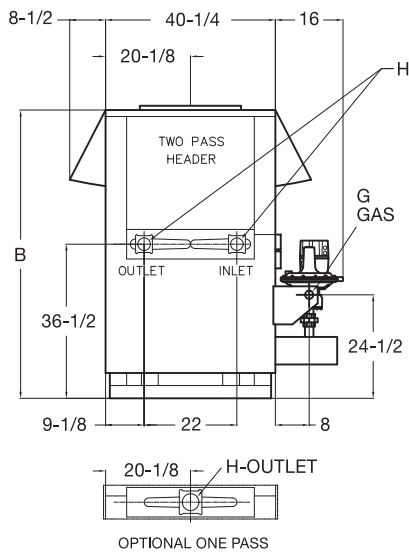
**Drawing 2**



**Drawing 3**



**Drawing 4**



DIMENSION VARIES BY MODEL AND TYPE CONSULT FACTORY FOR DETAILS.

**Drawing 5**

# H Features

**TYPE H** – Hydronic heating boiler. Used on closed loop for space heating systems

FEATURES		H Models					
		181-401	514-824	926-1826	2100-2500	3001-4001	
HEAT EXCHANGER	ASME Inspected and Stamped – 160 psi	•	•	•	•	•	
	National Board	•	•	•	•	•	
	Heat Exchanger Tubes	– Copper	•	•	•	•	•
		– Cupro Nickel	0	0	0	0	0
	Headers	– Cast Iron	•	•	•	•	•
		– Bronze	0	0	0	0	0
		– Cast Iron – Single-Pass			0	0	0
	Pressure Relief Valve	– 30 psi	0	0	0	0	0
		– 45 psi	•	0	0	0	(a)
		– 60 psi	0	•	•	•	•
		– 75 psi	0	0	0	0	0
		– 125 psi	0	0	0	0	0
– 150 psi		0	0	0	0	0	
Temperature & Pressure Gauge	•	•	•	•	•		
Pump - 120V	– Single Phase	0	0	0			
JACKET	Bolted Cabinet	•	•	•	•	•	
	Draft Diverters	– Stack Type – Indoor	•	•	•		
		– Low Profile – Outdoor	•	•	•		
		– Built-in – Indoor				•	•
		– Field Interchangeable – Indoor/Outdoor	•	•			
Enclosed Controls (b)	•	•	•				
Combustible Floor Shield	0	0	0				
ELECT.	Power Supply, 120V	•	•	•	•	•	
	Transformer 120V/24V	•	•	•	•	•	
	On/Off Switch	•	•	•	•	•	
OPER. CTRLS.	Economaster II Pump Time Delay – 120V 10A Max.	•	•	•	•	•	
	Temperature Control (e)	– Mech. Modulating Valves H1 H5		•	•		
		– Motor. Mod Controller –160-240°F H2		0	0	0	0
		– Staged Controller H3 H9	0	0	0	0	0
– On/Off Controller H4	0	0	0	0	0		
SAFETY CONTROLS	Flame Safeguard – 24V, 100% Pilot Safety	•	•	•	•	•	
	Pilot – Electronic, Intermittent Pilot Ign. W/ Lockout	•	•	•	•	•	
	High Gas Pressure Switch (c)	0	0	0	0	•	
	Low Gas Pressure Switch (c)	0	0	0	0	0	
	Low Water Cut-off	0	0	0	0	0	
	High Limit Switch	– Manual Reset – Adjustable	•	•	•	•	•
		– Automatic Reset – Adjustable	0	0	0	0	•
		– Automatic Reset – Fixed 240°F					
Flow Switch	•	•	•	•	•		
GAS TRAIN	Gas Pressure Regulator	•	•	•	•	•	
	Manual Gas Valve - Main Gas Shut-Off ("A" valve)	•	•	•	•	•	
	Control Valve	– Modulating – Mechanical H1 H5		•	•		
		– Modulating – Motorized H2 H6		•	•	•	•
		– Staged – Diaphragm H3 H9	•	•	•	•	
		– Staged – Motorized H3 H9					•
		– On/Off – Diaphragm H4	•	•	•	•	
		– On/Off – Motorized H4					•
	Leak Test Ports		•	•	•	•	
	Safety Valve (Redundant)	– Diaphragm	•	•	•	•	
– Motorized		0	0	0	0	•	
Right-Hand Water Connections	0	0	0	0	0		
Power Vent	0	0	0	0	0		
CSD-1 Code		(d)	(d)	(d)	(d)		
Factory Mutual Insurers Control System (FM)					0		
Diagnostic Alarm System	0	0	0	0	0		
Outdoor Reset Control	– Motor. Mod (B-41)		0	0	0	0	
	– Stage (B-23, B-27, B-42) (e)	0	0	0	0	0	

(a) 45 PSI PRV not available on models 3500 or 4001.

(b) On certain applications, controls may be mounted on other than the front of the boiler.

(c) Required as part of certain code-compliant configurations.

(d) Parts added vary with firing mode.

(e) Digital controller standard on 180 to 261 with outdoor reset.

- = Standard item
- 0 = Optional item
- = Not Applicable



## TYPE WH – Direct-fired hot water supply for use with storage tank

FEATURES	WH MODELS						NH MODELS		
	133	181-401	514-824	926-1826	2100-2500	3001-4001	514-824	926-1826	
HEAT EXCHANGER	ASME Inspected and Stamped – 160 psi National Board	•	•	•	•	•	•	•	
	Heat Exchanger Tubes – Copper	•	•	•	•	•	•	•	
	– Cupro Nickel	•	0	0	0	0	0	0	
	Headers	– Bronze	•	•	•	•	•	•	•
		– Cast Iron	•	0	0	0	0	0	0
		– Cast Iron – Single-Pass	•	•	•	0	0	•	•
	Pressure Relief Valve	– 125 psi	•	•	•	•	•	•	•
		– 150 psi	0	0	0	0	0	0	0
Temperature & Pressure Gauge	•	•	•	•	•	•	•	•	
Pump - 120V – Single Phase	0	0	0	0	•	•	•	•	
JACKET	Bolted Cabinet	•	•	•	•	•	•	•	
	Draft Diverters	– Stack Type – Indoor	•	•	•	•	•	•	•
		– Low Profile – Outdoor	•	•	•	•	•	•	•
		– Built-in – Indoor	•	•	•	•	•	•	•
		– Field Interchangeable – Indoor/Outdoor	•	•	•	•	•	•	•
	Enclosed Controls (a)	•	•	•	•	•	•	•	
Combustible Floor Shield	0	0	0	0	•	•	0	0	
ELECT.	Power Supply, 120V	•	•	•	•	•	•	•	
	Transformer 120V/24V	•	•	•	•	•	•	•	
	On/Off Switch	•	•	•	•	•	•	•	
OPER. CTRLS.	Economaster II Pump Time Delay – 120V 10A Max.	•	•	•	•	•	•	•	
	Temperature Control	– On/Off Controller WH1	0	0	0	0	0	•	•
		– Mech. Modulating Valves –110-170°F WH2	•	•	•	•	•	•	•
		– Motor. Mod Controller –104-220°F WH2	•	•	•	•	0	0	•
– Staged Controller (e) WH3	0	0	0	0	0	0	•	•	
SAFETY CONTROLS	Flame Safeguard – 24V, 100% Pilot Safety	•	•	•	•	•	•	•	
	Pilot – Electronic, Intermittent Pilot Ign. W/ Lockout	•	•	•	•	•	•	•	
	High Gas Pressure Switch (b)	•	0	0	0	0	•	0	0
	Low Gas Pressure Switch (b)	•	0	0	0	0	0	0	0
	Low Water Cut-Off	•	0	0	0	0	0	0	0
	High Limit Switch	– Manual Reset – Adjustable	•	•	•	•	•	•	•
		– Automatic Reset – Adjustable	•	0	0	0	0	•	0
– Automatic Reset – Fixed 200°F		•	•	•	•	•	•	•	•
Flow Switch	•	•	•	•	•	•	•	•	
GAS TRAIN	Gas Pressure Regulator	•	•	•	•	•	•	•	
	Manual Gas Valve - Main Gas Shut-Off ("A" valve)	•	•	•	•	•	•	•	
	Control Valve	– On/Off – Diaphragm WH1	•	•	•	•	•	•	•
		– On/Off – Motorized WH1	•	•	•	•	•	•	•
		– Modulating – Motorized WH2	•	•	•	•	•	•	•
		– Modulating – Mechanical WH2	•	•	•	•	•	•	•
		– Staged – Diaphragm WH3	•	•	•	•	•	•	•
– Staged – Motorized WH3	•	•	•	•	•	•	•		
Safety Valve (Redundant)	– Diaphragm	•	•	•	•	•	•	•	
	– Motorized	•	0	0	0	0	•	•	
OPTIONS	Right-Hand Water Connections	•	0	0	0	0	0	0	
	Power Vent	0	0	0	0	0	0	0	
	CSD-1 Code	•	•	(c)	(c)	(c)	(c)	(c)	
	Factory Mutual Insurers Control System (FM)	•	•	•	•	0	•	•	
	Diagnostic Alarm System	•	0	0	0	0	0	0	

- (a) On certain applications, controls may be mounted on other than the front of the boiler.
- (b) Required as part of certain code-compliant configurations.
- (c) Optional, but water heaters are normally exempted from this code. See section CG-130.

- = Standard item
- 0 = Optional item
- = Not Applicable

# Flow Rates and Pressure Drops

Model Size	MAXIMUM & MINIMUM FLOW RATES						PRESSURE DROPS												
	MAX FLOW / MIN ΔT			MIN FLOW / MAX ΔT			10°FΔT		20°FΔT		30°FΔT		40°FΔT						
	CHART 1			CHART 2			GPM	ΔP FT	GPM	ΔP FT	GPM	ΔP FT	GPM	ΔP FT					
	GPM	ΔT	ΔP FT	GPM	ΔT	ΔP FT	GPM	ΔP FT	GPM	ΔP FT	GPM	ΔP FT	GPM	ΔP FT					
TWO-PASS	133*	23	10	16.3	10	23	3.3	23	16.3	11	3.9	2**							
	181/182	45	7	9.2	20	15	1.8	30	4.2										
	260/261	45	10	9.4	20	22	1.9	44	8.8	22	2.2								
	330/331	45	12	9.6	20	28	1.9	1		28	3.7								
	400/401	45	15	9.8	20	33	2.0	1		33	5.2					22	2.3		
	514	90	9	9	40	21	1.8	84	7.8	42	1.9								
	624	90	12	9.5	40	26	1.9	Exceeds maximum flow, See chart # 1		52	3.0								
	724	90	13	10	40	30	2.0			60	4.4					40	2.0		
	824	90	15	10.5	40	34	2.1			68	6.0					46	2.8		
	926	90	17	11	40	38	2.2			77	8.0					51	3.5		
	962	90	18	11	40	40	2.2			80	8.8					53	3.8		
	1083	90	20	12	45	40	3.1			90	12.0					60	5.3	45	3.1
	1125	90	21	12	47	40	3.3			90	12.0					62	5.6	47	3.3
	1178	90	22	12.5	49	40	3.8									65	6.5	49	3.8
	1223	90	22	12.5	51	40	4.0									68	7.1	51	4.0
	1287	90	24	13.2	53	40	4.5									71	8.2	53	4.5
	1336	90	25	13.2	55	40	4.9			74	8.9					55	4.9		
	1414	90	26	14	58	40	5.8			78	10.5					58	5.8		
	1468	90	27	14	61	40	6.4			81	11.3					61	6.4		
	1571	90	29	14.5	65	40	7.5			87	13.5					65	7.5		
1631	90	30	14.5	68	40	8.3			90	14.5	68	8.3							
1758	90	32	15.4	73	40	10.0					73	10.0							
1826	90	34	15.4	76	40	10.8					76	10.8							
2100	200	17	14.8	90	38	3.2			174	11.2	116	5.1	2**						
2500	200	21	15.8	103	40	4.4					138	7.8	103	4.4					
3001	200	25	16.7	124	40	6.7					166	11.6	124	6.7					
3500	200	29	17.5	145	40	9.5					191	16.2	145	9.5					
4001	200	33	18.7	166	40	13.0					166	13.0							
SINGLE-PASS	926	200	8	9.7	90	17	2.1	152	5.7	Less than minimum flow, See chart # 2**									
	962	200	8	9.7	90	18	2.1	157	6.1										
	1083	200	9	10.3	90	20	2.3	178	8.2										
	1125	200	9	10.3	90	20	2.3	184	8.8							92	2.3		
	1178	200	10	11	90	21	2.4	193	10.3							97	2.7		
	1223	200	10	11	90	22	2.4	200	11.0							100	2.9		
	1287	200	11	11.7	90	23	2.5	1								106	3.4		
	1336	200	11	11.7	90	24	2.5									110	3.7		
	1414	200	12	12.2	90	26	2.7									116	4.2		
	1468	200	12	12.2	90	27	2.7									120	4.5		
	1571	200	13	13	90	29	2.8									129	5.5		
	1631	200	13	13	90	30	2.8									134	6.0		
	1758	200	14	14.7	90	32	3.0									144	7.3	96	3.4
	1826	200	15	14.7	90	33	3.0									150	8.0	100	3.7
	2100	400	9	18	180	19	4.0									344	14		
	2500	400	10	18.8	180	23	4.1									1		205	5.3
	3001	400	12	19.5	180	27	4.3	246	7.8										
3500	400	14	20.5	180	32	4.5	287	11.0	191	5.0									
4001	400	16	21.5	180	36	4.7	328	14.8	219	6.8									

\* 4-pass heater

\*\* Minimum flow rates in closed systems may be reduced to a flow rate consistent with a 40°F ΔT.

Maximum flow rates limited by maximum acceptable velocity through the heat exchanger tubes. May be increased by 10% for closed heating systems. Pressure drop would increase 21%. Single pass heat exchangers are to be used only when flow rates exceed the allowable for two pass.

Recommend maximum 35°F rise for domestic hot water.

# Recovery Rates

		Recovery Rates														
		Indoor Models														
		Temperature Rise														
Model Number	Input MBTU	10F°	20F°	30F°	40F°	50F°	60F°	70F°	80F°	90F°	100F°	110F°	120F°	130F°	140F°	150F°
		Gallons per Hour (GPH)														
133	136	1352	676	451	338	270	225	193	169	150	135	123	113	104	97	90
182/181	181	1799	900	600	450	360	300	257	225	200	180	164	150	138	129	120
260/261	264	2624	1312	875	656	525	437	375	328	292	262	239	219	202	187	175
330/331	334	3320	1660	1107	830	664	553	474	415	369	332	302	277	255	237	221
400/401	399	3966	1983	1322	991	793	661	567	496	441	397	361	330	305	283	264
514	511.5	5084	2542	1695	1271	1017	847	726	636	565	508	462	424	391	363	339
624	627	6232	3116	2077	1558	1246	1039	890	779	692	623	567	519	479	445	415
724	726	7216	3608	2405	1804	1443	1203	1031	902	802	722	656	601	555	515	481
824	825	8200	4100	2733	2050	1640	1367	1171	1025	911	820	745	683	631	586	547
962	961.7	9559	4779	3186	2390	1912	1593	1366	1195	1062	956	869	797	735	683	637
1125	1124.7	11179	5589	3726	2795	2236	1863	1597	1397	1242	1118	1016	932	860	798	745
1223	1222.5	12151	6075	4050	3038	2430	2025	1736	1519	1350	1215	1105	1013	935	868	810
1336	1336.6	13285	6642	4428	3321	2657	2214	1898	1661	1476	1328	1208	1107	1022	949	886
1468	1467	14581	7291	4860	3645	2916	2430	2083	1823	1620	1458	1326	1215	1122	1042	972
1631	1630	16201	8101	5400	4050	3240	2700	2314	2025	1800	1620	1473	1350	1246	1157	1080
1826	1825.6	18145	9073	6048	4536	3629	3024	2592	2268	2016	1815	1650	1512	1396	1296	1210
2100	2100	20873	10436	6958	5218	4175	3479	2982	2609	2319	2087	1898	1739	1606	1491	1392
2500	2499	24839	12419	8280	6210	4968	4140	3548	3105	2760	2484	2258	2070	1911	1774	1656
3001	3000	29818	14909	9939	7455	5964	4970	4260	3727	3313	2982	2711	2485	2294	2130	1988
3500	3500	34788	17394	11596	8697	6958	5798	4970	4348	3865	3479	3163	2899	2676	2485	2319
4001	4000	39758	19879	13253	9939	7952	6626	5680	4970	4418	3976	3614	3313	3058	2840	2651
		Outdoor Models														
133	136	1352	676	451	338	270	225	193	169	147	135	123	113	104	97	90
182/181	181	1799	900	600	450	360	300	257	225	195	180	164	150	138	129	120
260/261	264	2624	1312	875	656	525	437	375	328	284	262	239	219	202	187	175
330/331	334	3320	1660	1107	830	664	553	474	415	360	332	302	277	255	237	221
400/401	399	3966	1983	1322	991	793	661	567	496	430	397	361	330	305	283	264
514	511.5	5084	2542	1695	1271	1017	847	726	636	565	508	462	424	391	363	339
624	627	6232	3116	2077	1558	1246	1039	890	779	692	623	567	519	479	445	415
724	726	7216	3608	2405	1804	1443	1203	1031	902	802	722	656	601	555	515	481
824	825	8200	4100	2733	2050	1640	1367	1171	1025	911	820	745	683	631	586	547
926	926	9204	4602	3068	2301	1841	1534	1315	1150	1023	920	837	767	708	657	614
1083	1083	10764	5382	3588	2691	2153	1794	1538	1346	1196	1076	979	897	828	769	718
1178	1178	11709	5854	3903	2927	2342	1951	1673	1464	1301	1171	1064	976	901	836	781
1287	1287	12792	6396	4264	3198	2558	2132	1827	1599	1421	1279	1163	1066	984	914	853
1414	1413	14044	7022	4681	3511	2809	2341	2006	1756	1560	1404	1277	1170	1080	1003	936
1571	1570	15605	7802	5202	3901	3121	2601	2229	1951	1734	1560	1419	1300	1200	1115	1040
1758	1758	17473	8737	5824	4368	3495	2912	2496	2184	1941	1747	1588	1456	1344	1248	1165

For gallons per minute (GPM) divide GPH by 60

# Storage Tanks

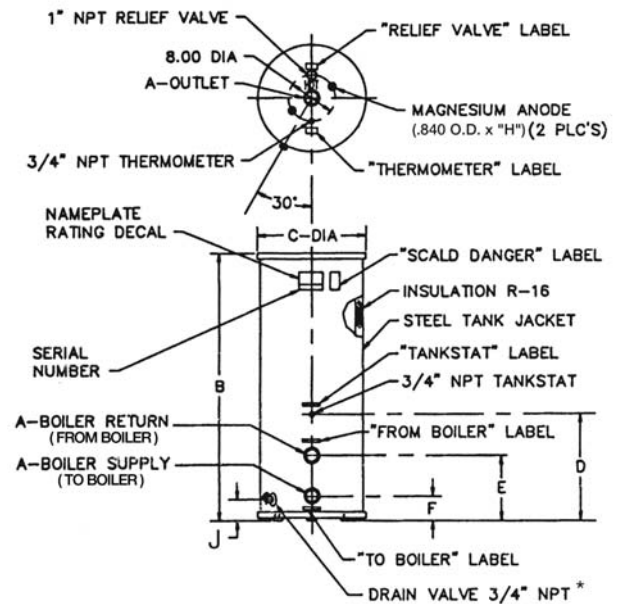
## 80- to 175-GALLON TANKS ASME CODE AND NON-CODE

### Features

- 150 PSI maximum working pressure
- Two magnesium anodes
- Handhole (175-gallon only)
- Large drain valve provided (80- and 115-gallon only)
- Foam insulation
- Labels for each opening
- R-12.9 value insulation
- Meets ASHRAE 90A
- Insulated and jacketed

For more information, see catalog 4000.20.1 and 4000.21.

CAPACITY GALLONS	A	B	C	D	E	F	H	J	APPROX SHIPPING WT. LBS.
<b>NON CODE</b>									
80	2" NPT	58-5/8	24-7/16	20-3/16	13-3/16	6-3/16	53	3-5/8	193
115	2" NPT	59-1/4	28-1/4	18-1/16	11-1/16	4-3/16	53	3-5/8	336
<b>ASME CODE</b>									
80	2" NPT	58-5/8	24-7/16	20-3/16	13-3/16	6-3/16	53	3-5/8	255
115	2" NPT	59-1/4	28-1/4	18-1/16	11-1/16	4-3/16	53	3-5/8	385
175	2-1/2" NPT	67-1/4	32-1/4	19-9/16	12-9/16	5-9/16	58	3	596



\* Note: 175 gallon tank drain conn 1" NPT w/o valve.  
175 gallon tank tankstat connection located above drain connection at height indicated above.

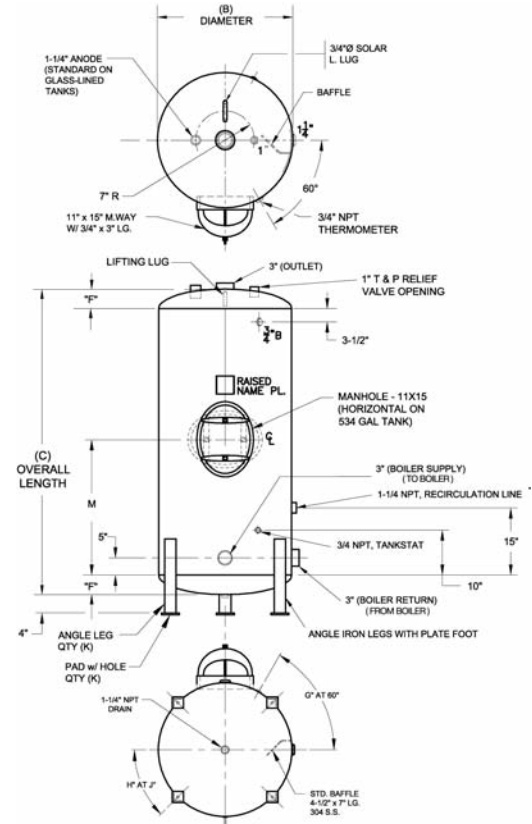
## 235- to 2,590-GALLON TANKS ASME CODE

### Stock Custom Tanks

- Sizes from 235 to 534 Gallons
- 125 PSI ASME
- Vertical only
- Handhole (4" x 6") 235 and 335 (not shown)
- Manhole - 534 only
- Angle iron legs
- Glass lining
- Threaded openings:  
3" NPT supply, return and outlet  
1" NPT T&P relief valve  
1" drain
- Insulation and jacketing not available

### Custom Tanks

- Sizes up to 2,590 Gallons
- 125 PSI standard
- 150 PSI available 36" thru 72" diameters
- Glass, epoxy or cement lining
- Vertical and horizontal
- Anodes standard on glass-lined tanks
- Manhole standard
- Insulation and jacketing available
- Larger tanks available upon request



PART NUMBER	VOL GAL	B DIA	C O.A. HT	F	G	H	J	K	M	SHIPPING WEIGHT (LBS.)
951408	235	30.0	84.0	10.31	15.75	7.88	30"	3	30	548
951409	335	36.0	84.0	12.00	18.88	9.44	30"	3	28.5	658
951410	534	42.0	96.0	12.25	24.92	16.5	45"	4	33	991

For more information, see catalog 4000.10

ISO 9001



2151 Eastman Avenue, Oxnard CA, 93030  
(805) 278-5300 Fax (800) 872-9725  
www.raypak.com

Raypak, Inc. reserves the right to make product changes or improvements at any time without notice.

Catalog Number: 1100.10X  
Effective: 09-15-12  
Replaces: 06-15-12